

Chap 4-5

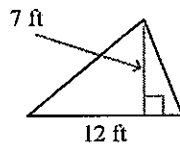
Multiple Choice

Identify the choice that best completes the statement or answers the question.

- _____ 1. What is the value of 7^3 ?
- a. 21
 - b. 49
 - c. 343
 - d. 2187

Find the area.

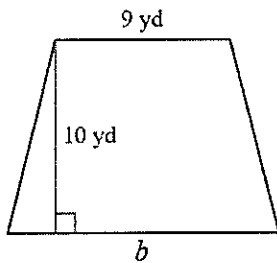
- _____ 2.



- a. 19 ft^2
- b. 42 ft^2
- c. 38 ft^2
- d. 84 ft^2

Name the word that matches the definition given.

- _____ 3. A figure made up of triangles, squares, rectangles, and other two-dimensional figures
- a. polygon
 - b. composite figure
 - c. circle
 - d. sphere
 - e. prism
 - f. pyramid
- _____ 4. Area = 115 yd^2



- a. 14 yd
- b. 23 yd
- c. 104 yd
- d. 21 yd

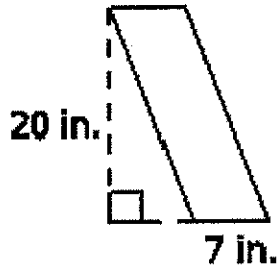
Name: _____

ID: A

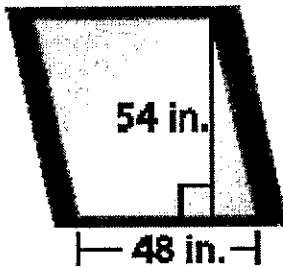
Numeric Response

Find the area of the parallelogram.

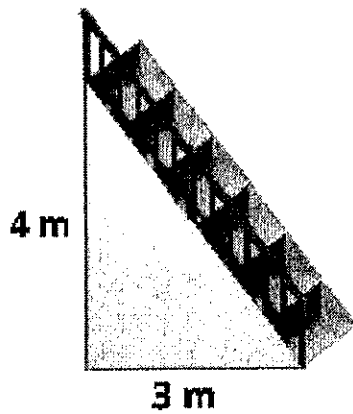
1.



2. A window in a house is in the shape of a parallelogram. Find the area of the window.

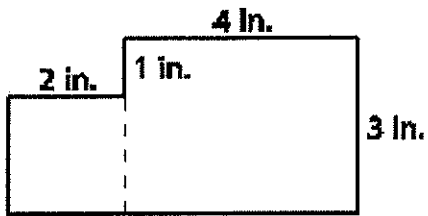


3. You paint the wall below your stairs. Find the area you paint.



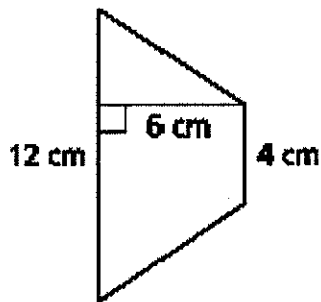
Find the area of the figure.

4.

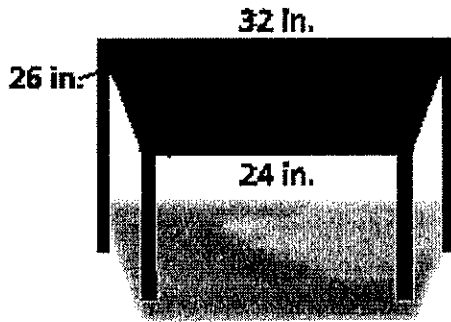


Find the area of the trapezoid.

5.



6. What is the area of the top of the desk?

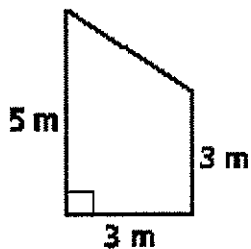


7. The base of a parallelogram is 13 yards and the height is 10 yards. What is the area?

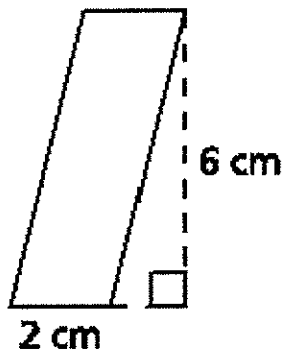
8. The base of a triangle is 8 centimeters and the height is 20 centimeters. What is the area of the triangle?

Find the area of the parallelogram, triangle, or trapezoid.

9.



10.



11. The vertices of a park are $A(2, 1)$, $B(2, 10)$, $C(13, 10)$, and $D(13, 1)$. The vertices of an artificial lake are $W(3, 3)$, $X(3, 5)$, $Y(6, 7)$, and $Z(6, 5)$. The coordinates are measured in miles. What is the area of the park not including the lake?

Find the percent of the number.

12. 140% of 15
13. 17% of 40

Complete the statement. Round to the nearest hundredth if necessary.

14. 4 gal \approx _____ L
15. 9 cm \approx _____ in.
16. 18 cm \approx _____ in.
17. An alligator can run at a speed of 13 feet per second on land. At this rate, how far can it run in 3 seconds?

Write the mixed number as a percent.

18. $5\frac{47}{50}$

19. $8\frac{17}{50}$

20. How long is the sea snake in inches?

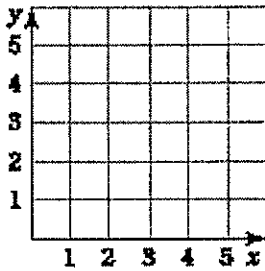


Length: 64.2 cm


Short Answer


Draw the polygon with the given vertices in a coordinate plane.

1. $A(1,3), B(4,1), C(6,2), D(3,4)$



2. Draw a trapezoid. Suppose you can't remember the formula for the area of a trapezoid. Explain how you can think of the trapezoid as a composite figure to find its area.
3. **Error Analysis** Describe and correct the error in finding the area of the rectangle.

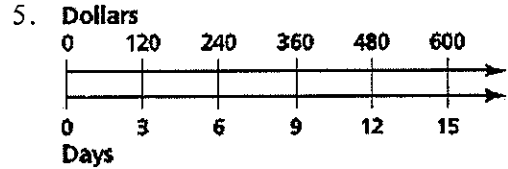
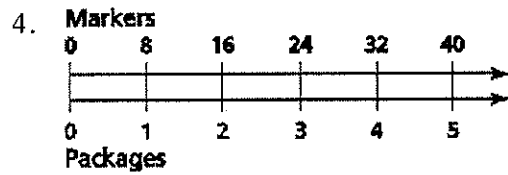




$$A = 2(15) + 2(24)$$

$$= 78 \text{ m}^2$$

Write a rate that represents the situation.



Write a unit rate for the situation.

6. 250 words in 5 minutes

Write a rate that represents the situation.

7. \$47 for 7 packages
8. If 63 is 140% of a number, is the number greater or less than 63?

Complete the statement. Round to the nearest hundredth, if necessary.

9. $\frac{3500 \text{ cm}}{\text{min}} \approx \frac{? \text{ m}}{\text{sec}}$
10. It is your eighteenth birthday. You are driving a European sports car at a speed of 83 kilometers per hour. The speed limit is 55 miles per hour.
- Are you driving *faster* or *slower* than the speed limit?
 - How much faster or slower than the speed limit are you driving in miles per hour?
 - How much faster or slower than the speed limit are you driving in kilometers per hour?