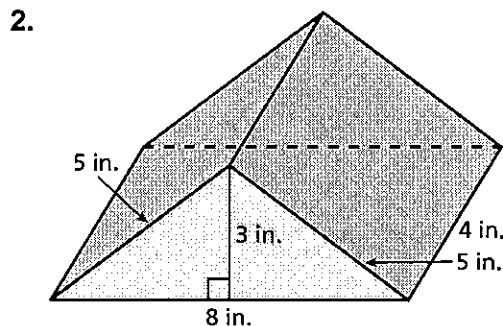
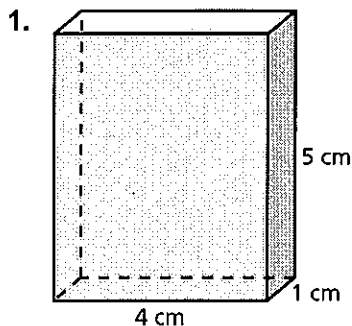


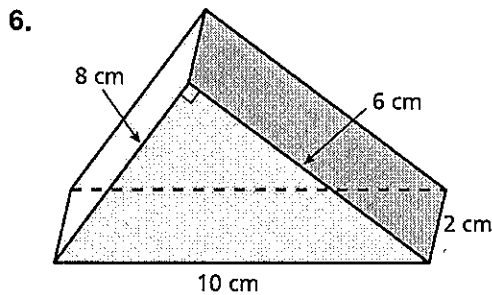
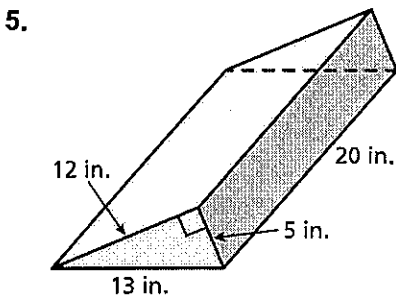
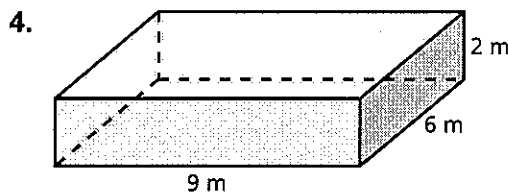
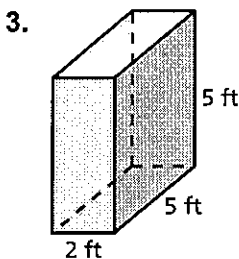
8.2

Practice A

Draw a two-dimensional representation of the prism. Then find the area of the entire surface of the prism.



Find the surface area of the prism.



7. Using a ruler, measure the dimensions of a tissue box that is in the shape of a rectangular prism. Assume that the entire tissue box is made of cardboard. How many square inches of cardboard were used to create the tissue box? (Ignore any overlap in the cardboard.)